

EL-EXIT... / EL-WAY...

Ex approved emergency exit sign lamp and escape lighting in flameproof enclosure



Ex-d Emergency Lighting



- For Gas- and Dust Ex, Zone 1/2/21/22
- Latest LED-Technique
- With storage battery or central supplied
- Ready-for-connection with linebushing
- Very robust structure
- High chemical resistance

Description

The Ex approved emergency exit and escape lights are equipped with modern, high luminosity and maintenance-free LED-technique.

They are supplied with storage battery, which is controlled, tested and gently charged by intelligent electronics.

Furthermore there is a version without battery available which is used with central emergency power supply.

Applications are escape doors, emergency exits, escape ways, and all areas where illumination is necessary after power down.

The emergency lamps are supplied with ready-for-connection linebushing and so installation is quite easy.

There are up to 2 line bushings (cable glands) possible. So you can easily connect more signal towers in line.



Possible application

- Petro chemistry / Refinery / Offshore
- Wastewater industry / Sewage treatment
- Shipbuilding / Tanker
- Tank farm / Filling station
- Ex-manufacturing plant

Technical Data

Material:	Aluminium die cast with tube of borosilicate glass
Dimension:	430x174x210mm
Fixing centres:	345mm / 2x10Ø
Ingress protection:	IP66
Impact resistance:	7 Joule / IK08
Temperature range:	
without battery:	-20...+40°C
with battery:	0...+40°C
Weight:	5,8 kg

Marking

Ex II 2G Ex db IIB T6/T5
Ex II 2D Ex tb IIB T85°C/T100°C

Certificates

ATEX, TC-RU, Zone 1 / 2 / 21 / 22

Acc. standards for illumination

EN 60598-1, EN 60598-2-22
EN 61347-2-7, EN 1839, EN-ISO 7010

Technical Data of Modules

Emergency exit lamps:

Amount LEDs:	2
Illumination duration w. battery:	>1h
Voltage:	230V, 50Hz
Current / Power w battery:	17mA / 2W, 4VA
Current / Power wo battery:	7mA / 0,7W, 1,5VA
Recognition distance:	25m

Escape lighting:

Amount LEDs:	4
Illumination duration w. battery:	>1h
Voltage:	230V, 50Hz
Current / Power w battery:	50mA / 7W, 13VA
Current / Power wo battery:	65mA / 7,5W, 15VA
Luminous flux:	440 lm

EL-EXIT... / EL-WAY...

Ex approved emergency exit sign lamp and escape lighting in flameproof enclosure

Ex-d Emergency Lighting



Order key

	EL	-	EXIT	-	D	-	1	-	10
Quintex									
Emergency Light									
EXIT = Emergency exit sign light									
WAY = Escape lighting									
Emergency exit sign light, Pictogram:									
U = Arrow up									
L = Arrow left									
R = Arrow right									
D = Arrow down									
Escape lighting :									
0 = Standard (not switchable)									
S = switchable									
1 = with battery									
2 = for central emergency supply 230V AC/DC									
0 = with cable gland M20, diam. 3,2-8,7mm (other diameters or types on request)									
10 = Length of the cable with line bushing									

Lamps with DALI control on request
(Digital Addressable Light Interface)

Standard

The emergency lights are supplied as standard with one line bushing with 10m cable and 1 blind plug M20. For fixing of the signal tower there are 2 mounting brackets in stainless steel 316L pre-installed.

Connection types

Linebushing:



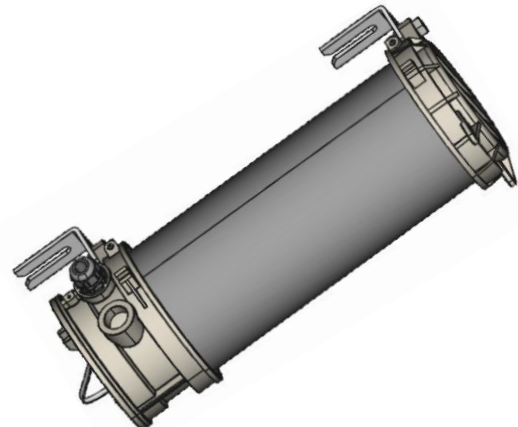
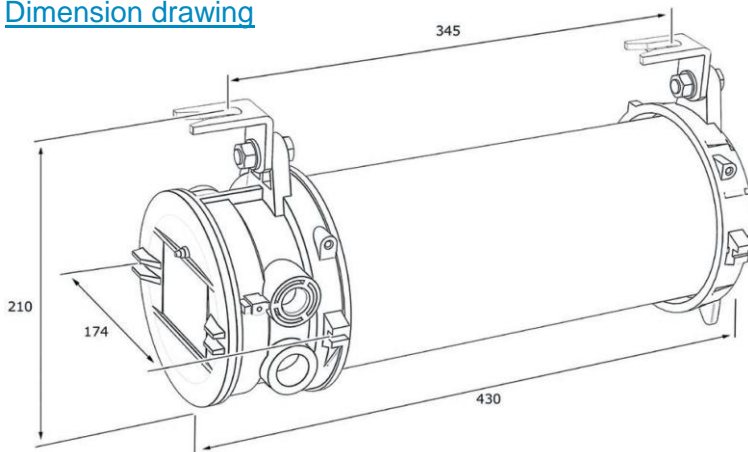
Option: Cable gland



Internal connection:



Dimension drawing



Pictogram acc. EN-ISO 7010

y = U:
Arrow up
Part-no. Pictogram:
PICTO UP



y = L:
Arrow left
Part-no. Pictogram:
PICTO LEFT



y = R:
Arrow right
Part-no. Pictogram:
PICTO RIGHT



y = D:
Arrow down
Part-no. Pictogram:
PICTO DOWN



Special pictograms on request